



801 Corey St. Moosic PA 18507 - (800)445-5148 - Fax:(800)551-6993

QUOTATION NO.	CUSTOMER NO.	PAGE
Q-10106	C00000000949	1 of 2

QUOTATION

SOLD TO

REFCO PO BOX 4079 Mc ALLEN, TX 78501 US	QUOTE DATE	SALESPERSON
	3/7/2008	
	PROJECT NAME	
	Mill Creek Elementary	
	PROJECT LOCATION	SHIP-TO
	Geneva, IL	Mc ALLEN, TX 78501

SPECIFICATIONS

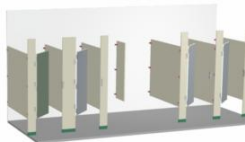
Product: Screens and Partitions

Configuration Name: 1st Floor Men's

Serial Number: C-10362

Stall Opening Qty: 6
Screen Panel Size: Depth:18" Height:55"
Partition Panel Size: Depth:57.5" Height:55"
Material: Standard (HDPE)
Heat Sinc: No
Fastener Type: 1 1/2" Torx
Hinge Style: 8" Alum. Wrap Around
Fastener Type: Not Required
Door Swing: In

Mounting Style: Wall Hung
Mounting Style: Floor Mounted (Not recommended)
Panel Color: Blueberry
Wall Bracket Type: Aluminum Stirrups, Double Ear
Wall Bracket Color: Aluminum
Hinge Qty: 2-per STD/3-per HC
Hinge Location: Left
Strikes and Latches: Aluminum (Emergency Access)



Item Number	Description	Qty
PANEL	Panel 57.5" W x 55 " H Blueberry	6
PANEL	Panel 18" W x 55 " H Blueberry	1
PILASTER	Pilaster 7" W x 82" H Blueberry	5
PILASTER	Pilaster 12" W x 82" H Blueberry	1
DOOR	Door 24" W x 55" H Blueberry	4
P-PAFM0324S	PIL ASSEMBLY- COMPLETE DESCRIPTION	5
HP07SHS	7" Stainless Steel Pilaster Shoe	5
HP12SHS	12" Stainless Steel Pilaster Shoe	1
P-BRSTSGALPL	Alum. Single ear Stirrup Bracket against Plastic	4
P-BRSTDBALPL	Alum. Double ear Stirrup Bracket against Plastic	2
P-BRSTSGALWL	Alum. Single ear Stirrup Bracket against Wall	4
P-BRSTDBALWL	Alum. Double ear Stirrup Bracket against Wall	3
P-HN08ALST	8" Aluminum Standard Hinge	4

Total Weight lbs

Total Estimate	\$XXXX
-----------------------	---------------

Customer Notes:



801 Corey St. Moosic PA 18507 - (800)445-5148 - Fax:(800)551-6993

QUOTATION NO.	CUSTOMER NO.	PAGE
Q-10106	C000000000949	2 of 2

QUOTATION

Notes:

*Prices are valid for 90 days from date of the quote and for shipment within 270 days, otherwise, it is subject to scalation in price. This quotation is based on Santana - Comtec - Capitol's interpretation of the information received. Confirmation of the specifications and quantities is ultimately the responsibility of the customer and NOT SANTANA - COMTEC - CAPITOL.

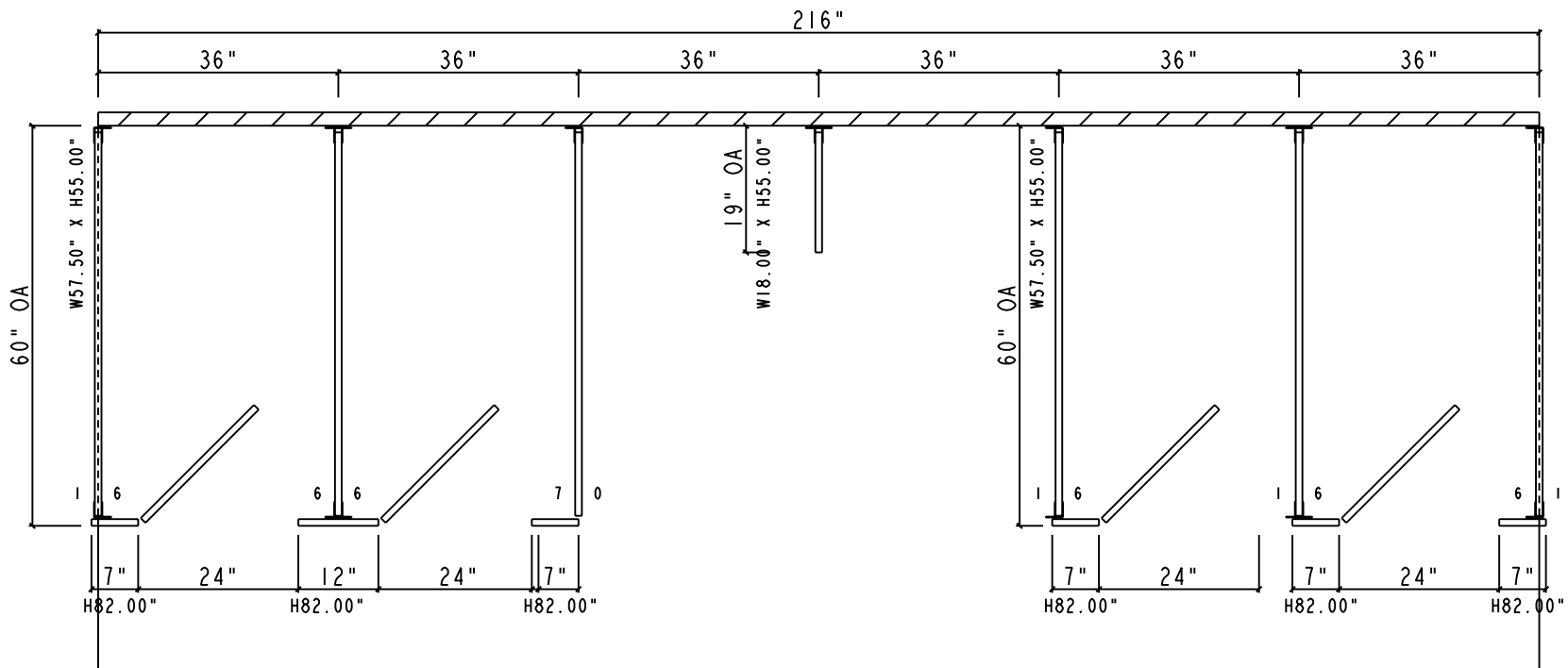
*Special packaging by room and/or floor is available upon request at an additional charge. *Quoted prices do not include any state and local taxes.

***Freight allowed unless otherwise noted.**

***Freight is based on single shipment to one destination. Multiple shipment will be subject to scalation in freight.**

BY: _____

Daniel Howe



Project Name: Mill Creek Elementary

Config Name: 1st Floor Men's

CUSTOMER NAME:

SCALE:
NTS

SERIAL #:
C-10362

Standard Notes:

1. Where pilasters and panels meet there is a 1/2" space.
2. Where pilasters and/or panels meet a wall there is a 1" space.
3. Headrail shall be cut approx. 2" longer than the overall dimension to be cut to size in the field by the installer.

DATE:
3/7/2008

REVISION #:
8

DRAWN BY:
Daniel



SCRANTON PRODUCTS
801 Corey St. Moosic PA 18507



Worry-Free Brands. Your Every Need.



Phone (570)348-0997