



Black Knight

Manufacturing

900 Jorie Blvd * Suite 190 * Oak Brook, IL 60134

Date: 3/27/2008
Quotation #: AC-11357
Prepared By:

Attention: John W. Mortimer
Company: CMI Johnson-Ross

Black Knight is committed to bringing our customers top of the line products and services. We are dedicated to supplying a product to meet your specific needs.

As you can see, the discounted price of your Black Knight proposal is \$ 13,729.60. This quote expires 30 days from the date of this proposal.

The first version of this quote was created on 3/27/2008, and the modified date is 3/27/2008. This is version 2 of this document and its unique identifier is AC-11357.

Sincerely,

Ron
Black Knight Manufacturing Inc



Black Knight
Manufacturing

900 Jorie Blvd * Suite 190 * Oak Brook, IL 60134

Quote Summary

<u>Item</u>	<u>Description</u>	<u>Reference #</u>	<u>Price</u>
1	Hydraulic Cylinder: GE Cylinder	DEMO-1428-C1	\$ 317.28
2	Walk-In Van: FedEx	DEMO-1492-C1	\$ 12,753.40
3	Air Powered Hydraulic Pump	7200M08	\$ 355.72
4	Light Duty 12-Drawer Chest	3100S01	\$ 303.20
Total Price:			\$ 13,729.60

Black Knight Manufacturing



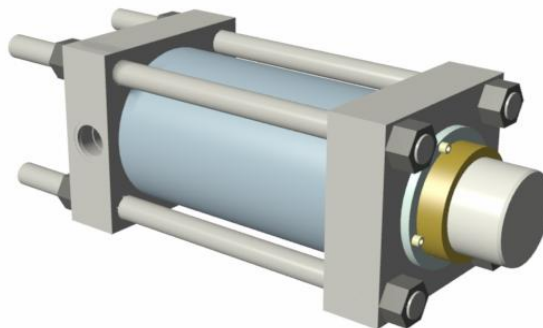
Item # 1

<u>Qty</u>	<u>Description</u>	<u>Reference #</u>	<u>Price</u>
1	Hydraulic Cylinder	DEMO-1428-C1	\$ 317.28

The following is a list of the options for your Hydraulic Cylinder configuration:

Hydraulic Cylinder Option Option Value

Customer:	GE Medical
Contract Number:	12345
Mount Type (NFPA):	MX2
Head Port Type:	SAE
Head Port Position:	Right
Cap Port Type:	SAE
Cap Port Position:	Left
Bore Diameter (inches):	6"
Rod Diameter (inches):	3.50"
Rod Style:	Plain
Rod Extension (inches):	3.2
Travel Length:	6.5
Stop Tube:	Yes
Piston Area	0.20
Stop Tube Length:	.8





Black Knight Manufacturing

900 Jorie Blvd * Suite 190 * Oak Brook, IL 60134

Item # 2

<u>Qty</u>	<u>Description</u>	<u>Reference #</u>	<u>Price</u>
1	Walk-In Van	DEMO-1492-C1	\$ 12,753.40

Walk-In Van characteristics:

Width	86.5"
Height	73"
Length	14'
What is the rear door requirement?	Full-Width Roll-Up Door
What is the required rear bumper?	12" Grip Strut Spring Bumper
What hood is required?	Fiberglass
Driver side cab door type:	Sliding
Driver side window:	Slider (Black Finish)
Driver side door lock:	Non-Push
Passenger side cab door type:	Sliding
Passenger side window:	Slider (Black Finish)
Passenger side door lock:	Non-Push
Driver's side seat:	Fixed Pedestal w/ Arm Rests
What type of skylights are required on the roof?	Translucent Roof
What is required on the side walls?	Standard Outside Skin
Track # 1 type:	E-Track
Distance from floor to Track # 1:	24
Track # 2 type:	E-Track
Distance from floor to Track # 2:	36
Months of Warranty	12