



Address: 270 Common St.
Lynn, MA 01905
781-592-1282
Date: March 27, 2008
Quote #: 000320
Page: 1 of 4

Ship To:

Bill To:

Thank you for your van equipment proposal request. We take pride in providing the highest quality van equipment on the market today. We are sure you will be pleased with our customer focused approach to business.

Please review the information related to your unique configuration and let me know how I can be of further assistance.

Regards,

Configure One

PRICE SUMMARY

<u>Description</u>	<u>Qty</u>	<u>Extended Price</u>
Van Equipment: Build-to-Order	1	\$ XXXX.XX
Labor:	1	\$ XXXX.XX
Total:		\$ XXXX.XX

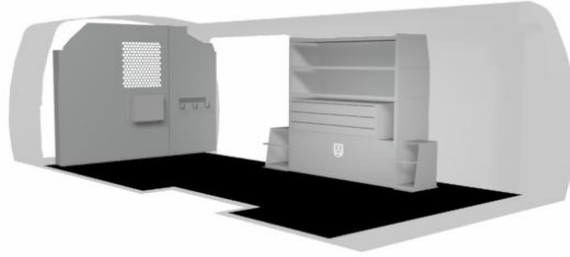


Address: 270 Common St.
 Lynn, MA 01905
 781-592-1282
Date: March 27, 2008
Quote #: 000320
Page: 2 of 4

Below is a complete list of items required for the configured van equipment.

<u>Cat. No.</u>	<u>Description</u>	<u>Qty</u>
Cab Area	-	1
PA4	IMPACT PAD 2X8X8	1
Partition Area	-	1
S1M2C1FSV	S1-M2-C1 PARTITION	1
WKC1FSVFD	WING KIT, SOLID, NORMAL, FORD	1
PA11	Cab File Box	1
TA1	Three Hook Bar	1
Curbside Area	-	1
47	SHELF RACK/WELDED/DRAWERS/42X46X14	1
CB2	TWO BOOK FILE	1
CB3	THREE BOOK FILE	1
DK544	42" Door Kit	1
Streetside Forward Area	-	1
MD503	MODULE/DRAWER/CABINET/36X46X12	1
TA20	MAPP GAS CABINET ASSEMBLY	1
Streetside Rear Area	-	1
HD-52FP	Adjustable Shelving (46"H x 52"W x 14"D)	1
MD520	SHELF UNIT/KD/18X36X12	1
DK552	52" Door Kit, 1st Shelf	1
Cargo Area	-	1
SA-20	STOW-ALL/DOUBLE/DEEP	1
UH25	UTILITY HOOK/2-1/2"	4
MB114	MOUNTING BRACKET	2
Ceiling Area	-	1
12345	Special Rack	2

Below are images that represent the configured van equipment.





Address: 270 Common St.
Lynn, MA 01905
781-592-1282
Date: March 27, 2008
Quote #: 000320
Page: 4 of 4

Estimated Payload After Upfit

The Available Weight of Cargo/Equipment you can carry after vehicle has been upfitted with shelving, drawers, ladder racks, etc, without compromising the vehicle manufacturer's warranty

E-250 Extended Van

GVWR (Gross Vehicle Weight Rating)

7,000 - 8,000 lbs GVWR

Vehicle Payload Before Upfit	2021 lbs
Driver/Passenger and Fluids	-450 lbs
Configured Package Weight	-691 lbs

Estimated Payload After Upfit 880 lbs

8,000 - 9,000 lbs GVWR

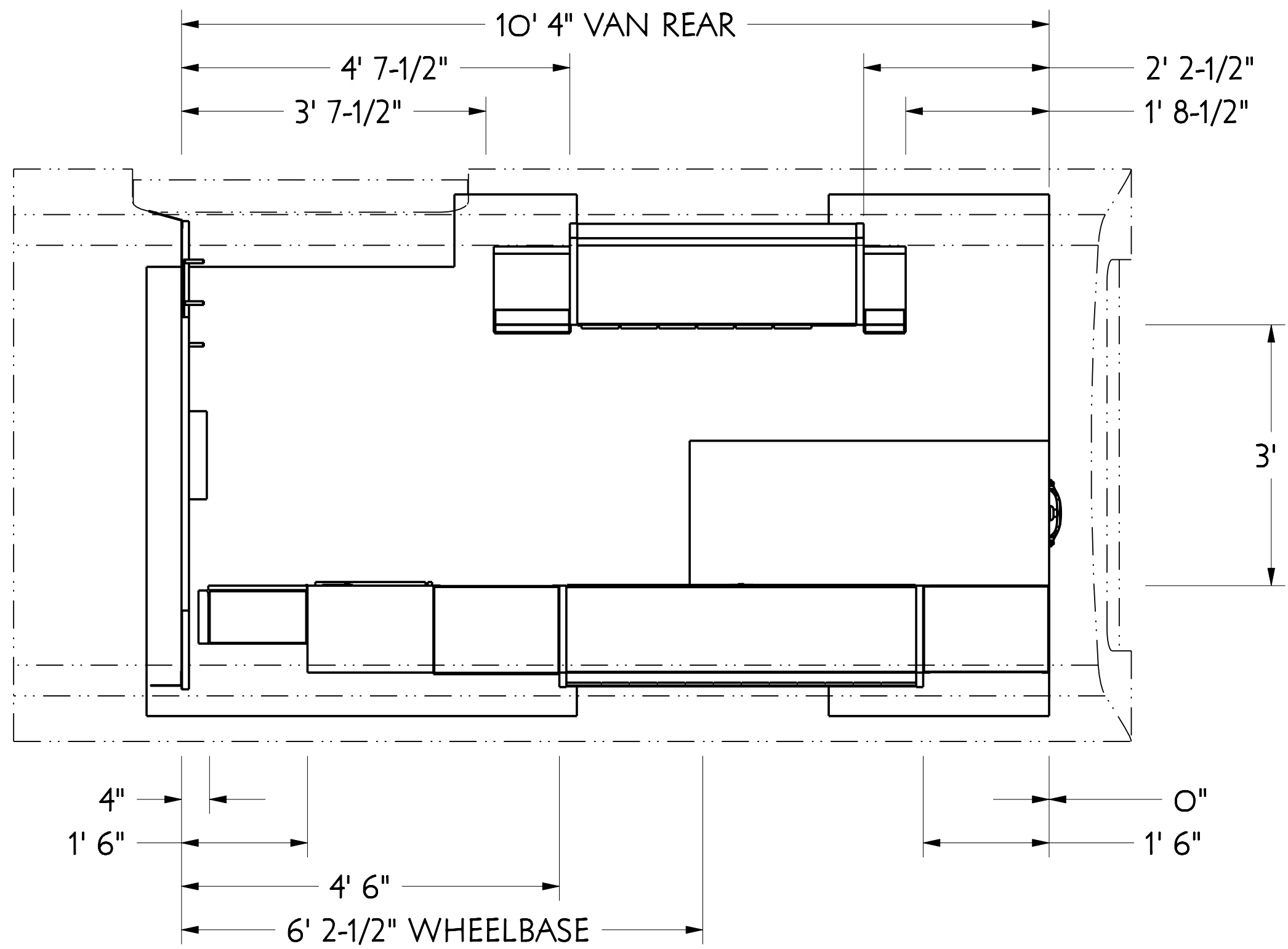
Vehicle Payload Before Upfit	3234 lbs
Driver/Passenger and Fluids	-450 lbs
Configured Package Weight	-691 lbs

Estimated Payload After Upfit 2093 lbs

Adrian Steel Company recommends there be a minimum of 500lbs of Available Payload for the customers tools, repair parts, other equipment, etc. This will help assure the vehicle's warranty is not compromised.

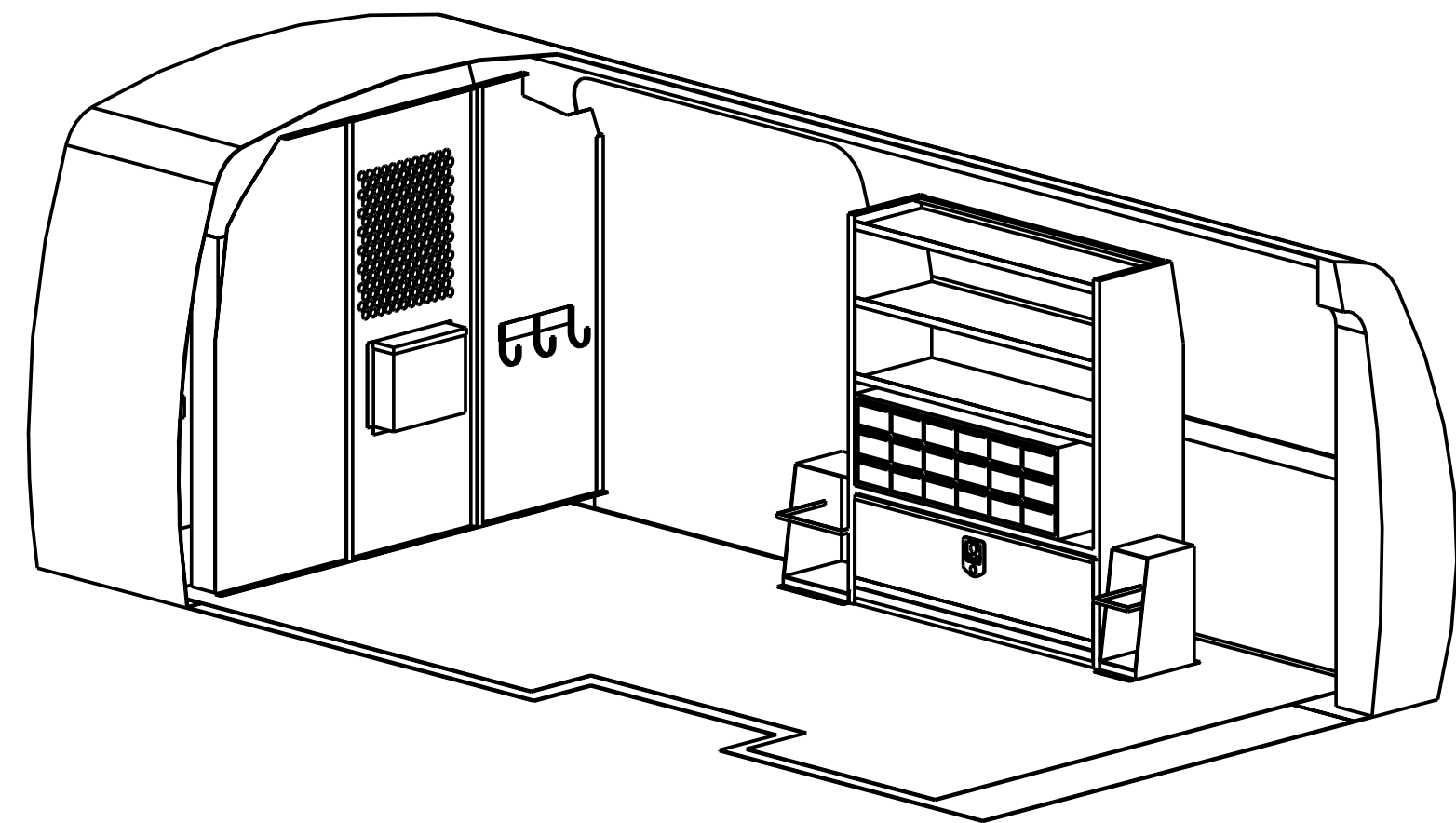
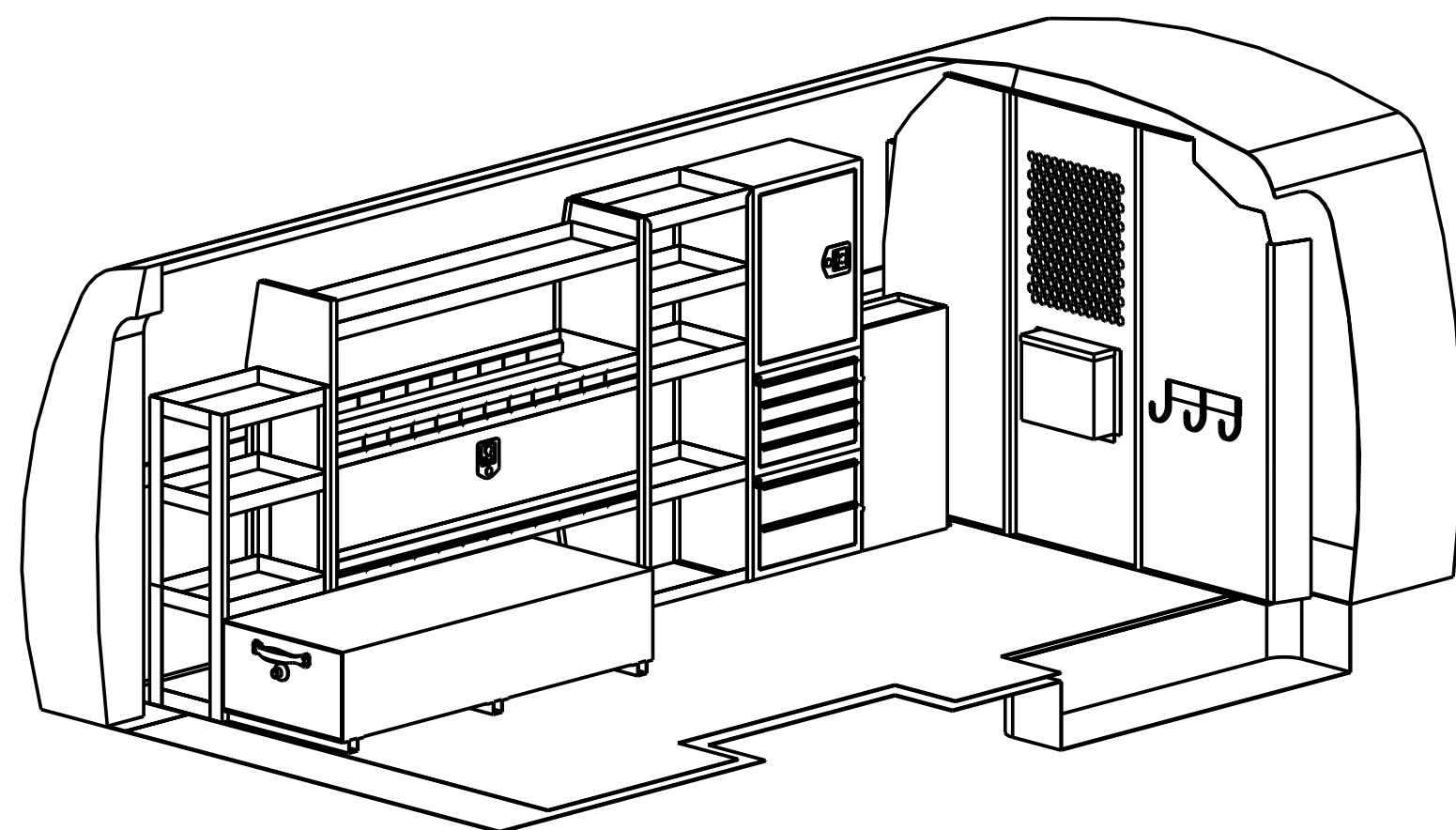
NOTE: Shown dimensions are for reference only. Actual dimensions may vary slightly depending on installation.

TOP VIEW



STREETSIDE VIEW

CURBSIDE VIEW



<p>Configure One INTERIOR FORD EXTENDED</p>	DATE: 4/26/2006
	QUOTE #: 002031
	PACKAGE #: MODULE