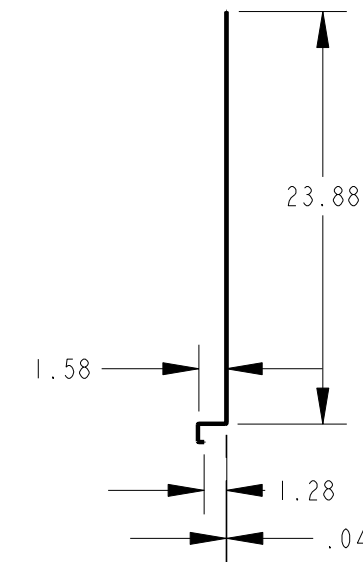
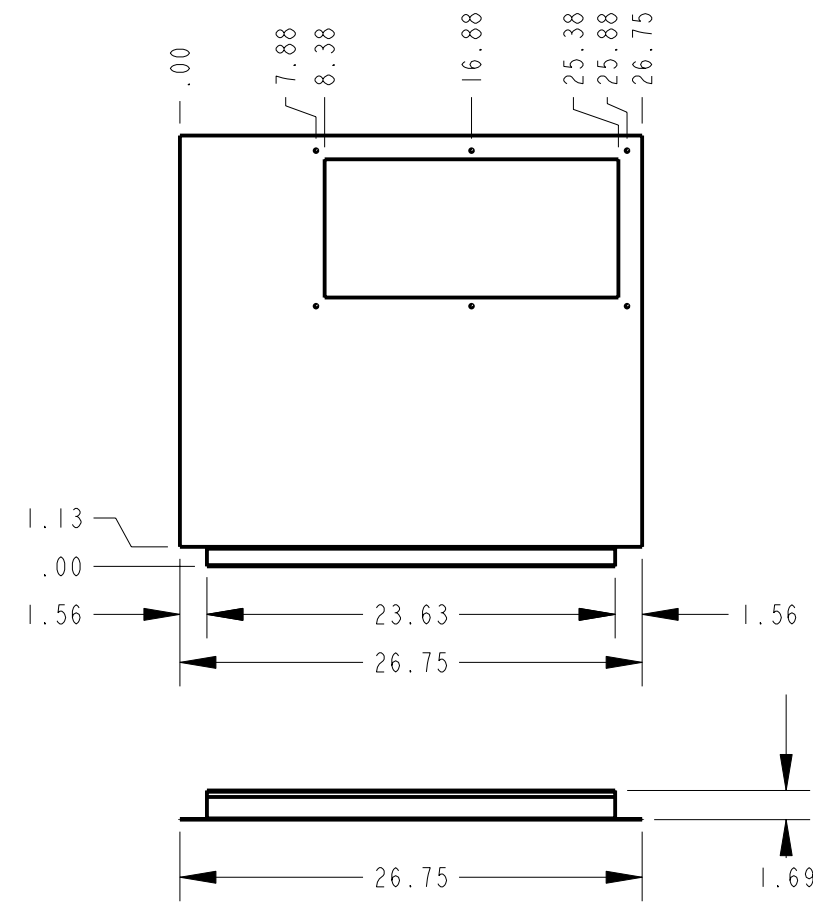
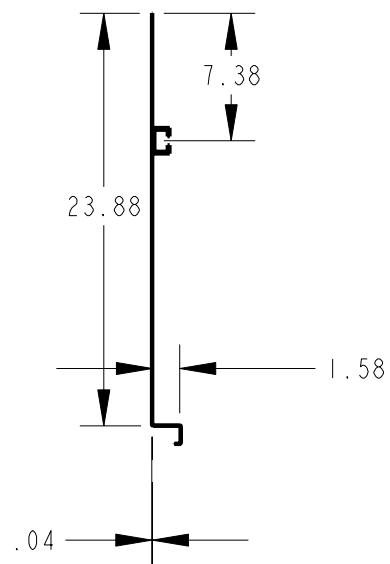
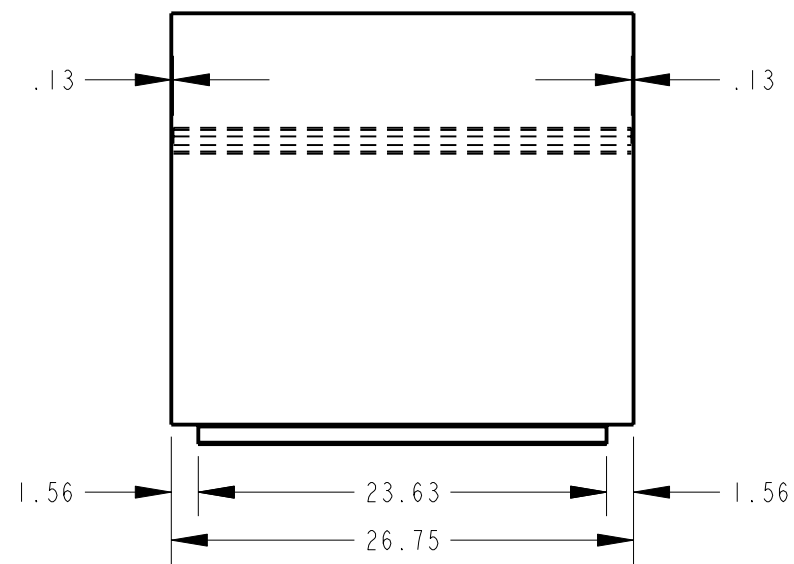
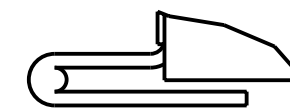
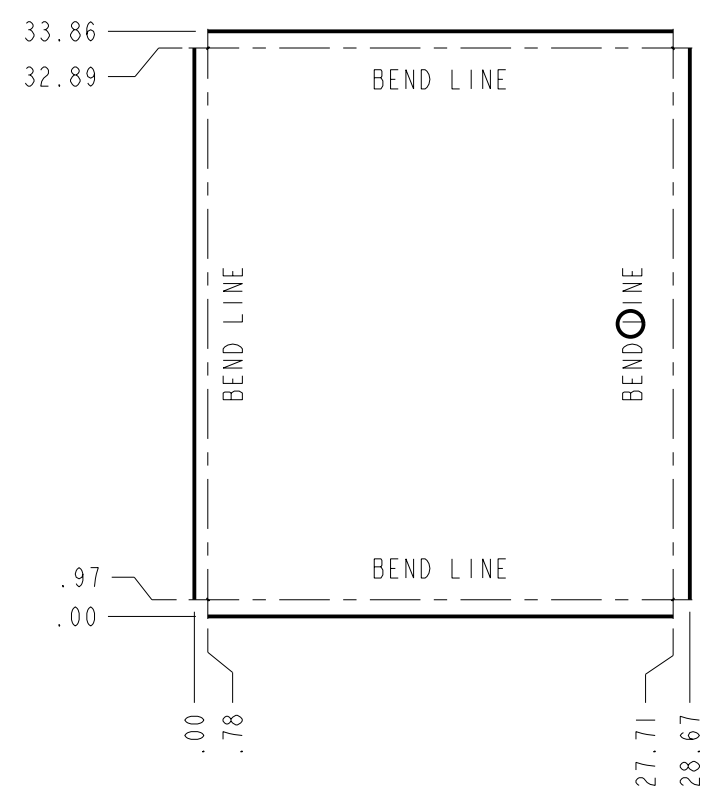
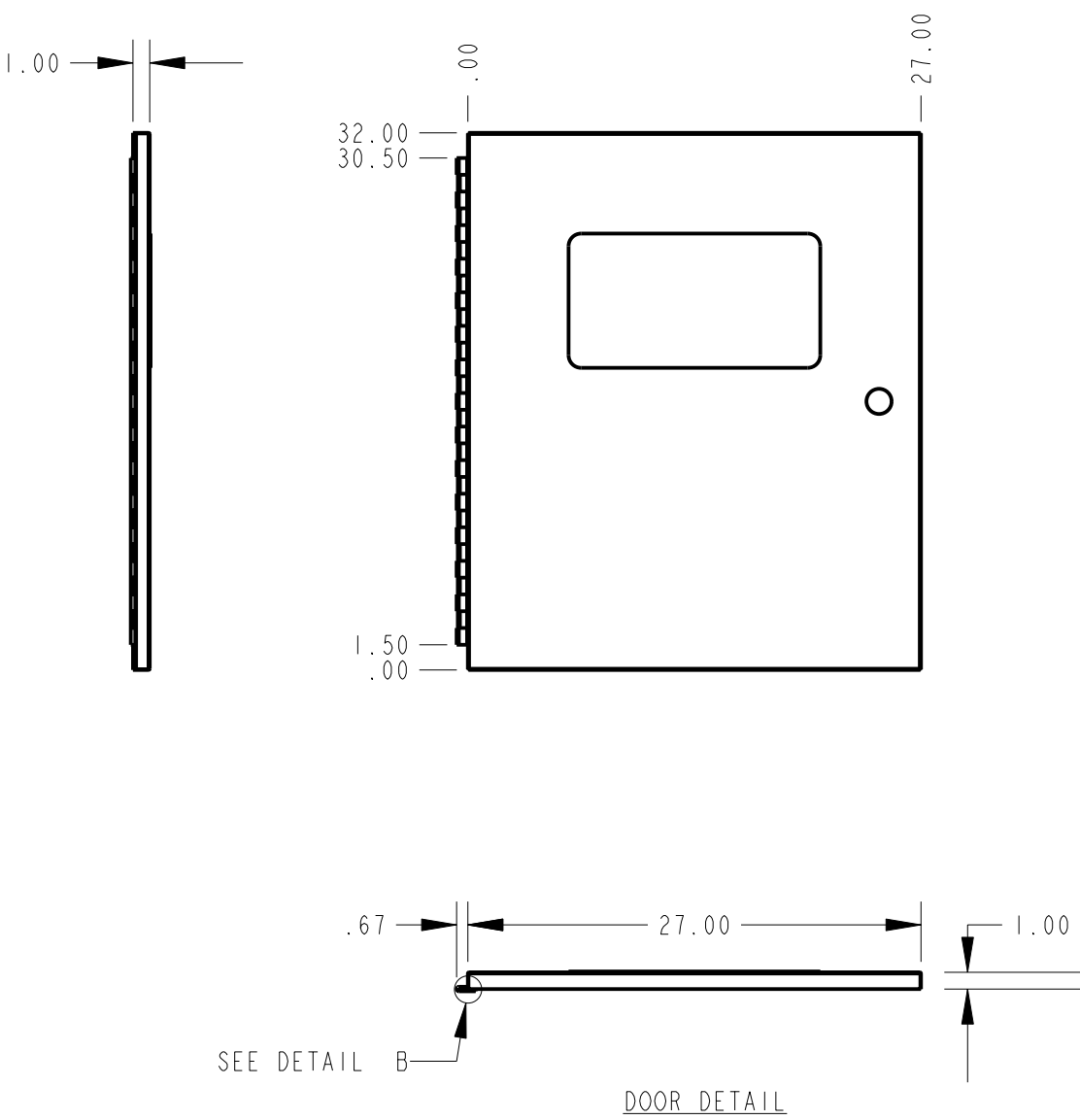


COVER PLATE



ROOF SHEET

FLOOR SHEET



DETAIL B
SCALE 1.000



SYSTEMS CONTROL
A DIVISION OF NORTHERN STAR INDUSTRIES, INC.
IRON MOUNTAIN, MICHIGAN

DATE:	DATE:	Electrical Enclosure Assembly
DATE:	DATE:	
DIMENSIONS IN INCHES		STEEL DETAILS
SCALE:		
S.C. PROJECT NUMBER		
S.C. JOB NUMBER		DRAWING NO.